

Serial interface specification for KAC-7000

Draft 1.0

2002. 5. 22.

Korea Coin Mechatronics,co.ltd.

Contents

PART I GENERAL

1.0 introduction

PART II Circuit Diagram

1.0 Circuit Diagram

PART III Connector Configuration

1.0 Main Power

2.0 D-sub Connector

3.0 8-pin Molex Connector

4.0 8-pin JST Connector

PART I
Introduction

1.0 Introduction

This document defines KAC-7000 Board functions.

KAC-7000 works as a level shifter between RS-232C and VTS interface.

Bill validator and coin mechanism those protocol are VTS can be connected to IBM-Compatible PC using KAC-7000.

VTS protocol use Open-Collector as interface and pull-up it with +24V pull-up resistor. so User who want to use VTS protocol Bill Validator and Coin-Mechanism should adopt KAC-7000 board.

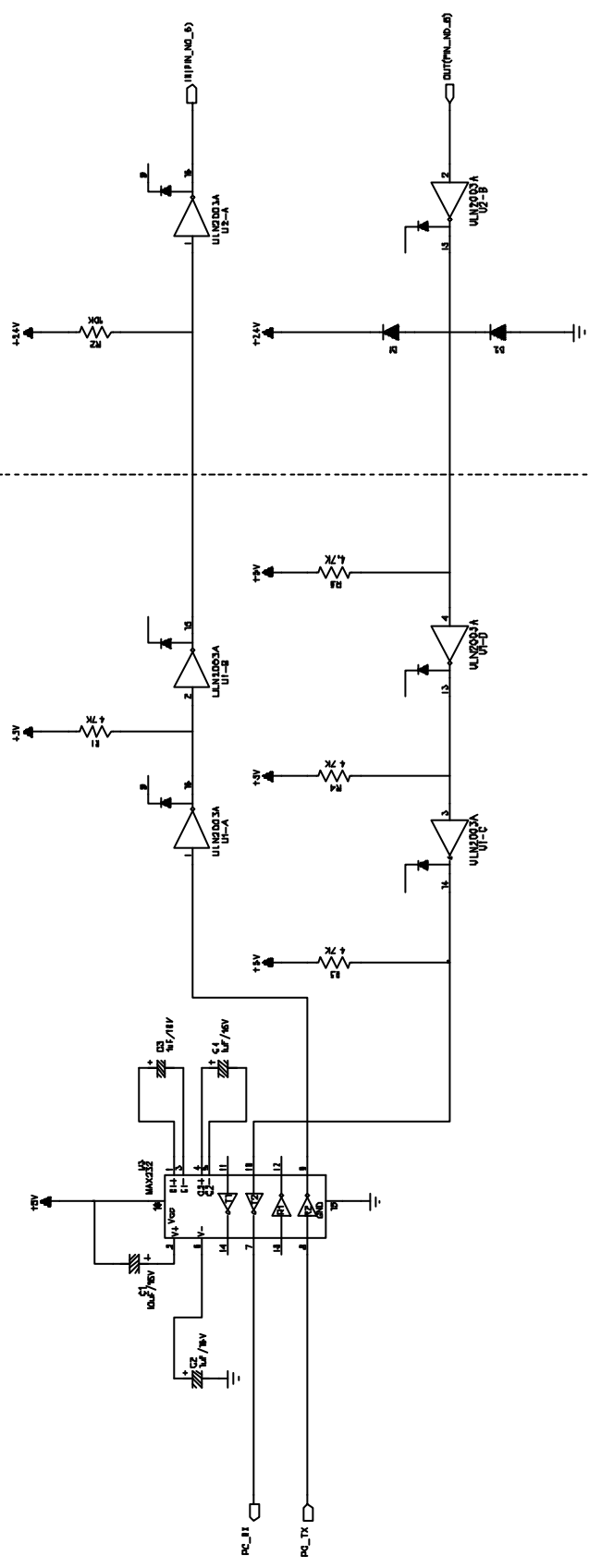
PART II
Circuit diagram

1 2 3 4 5 6

REVISION RECORD		
LTR	ECO. NO.	APPROVED DATE

BILL VALIDATOR SIDE

PC RS232C SIDE



COMPANY		Kareo Coin Mechatronics Co.,Ltd.	
TITLE		VTS - PC Interface	
DRAWN	DATE	CHKD.	REV. NO.
Ju Min, Lee	'0.31, 2002		
CHECKED	DATE	DATE	
QUALITY CONTROL			
RELEASED			

COMPANY		Kareo Coin Mechatronics Co.,Ltd.	
TITLE		VTS - PC Interface	
DRAWN	DATE	CHKD.	REV. NO.
Ju Min, Lee	'0.31, 2002		
CHECKED	DATE	DATE	
QUALITY CONTROL			
RELEASED			

PART III
Connector Configuration

1.0 Main Power

Pin	Signal	In/Out	Colour	Description
1	+ 24V	In	Red	+24V DC
2	GND	In	Black	GND

1.1. Power Requirement : +24Vdc, 2.5A

2.0 D-Sub Connector (PC RS-232 Port)

Pin	Signal	In/Out	Description
2	TX	Out	Tx signal
3	RX	In	Rx signal
4	GND	In	GND

2.1. Connector Type : 9 pin D-SUB connector, male

3.0 8-Pin Molex Connector (Bill Validator)

Pin	Signal	In/Out	Description
1	+24V	Out	+24V DC
5	TX	Out	Tx signal
6	RX	In	Rx signal
8	GND	Out	GND

3.1. Connector Type : 8 pin, 5264-08(Molex Part no.)

4.0 8-Pin JST Connector (Coin Mechanism)

Pin	Signal	In/Out	Description
1	+24V	Out	+24V DC
5	TX	Out	Tx signal
6	RX	In	Rx signal
8	GND	Out	GND

4.1. Connector Type : 8 pin, XLR-08V(JST Part no.)